

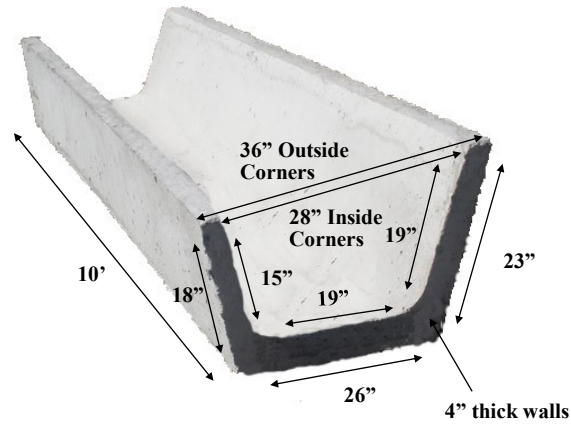


Cattle Guard Foundation Buttress in the precast yard.



Fenceline Feedbunks

Drawing Not to Scale



BOOM CONCRETE Feed Bunks are cast in ten foot sections for ease of handling. Feed bunks can be rearranged or moved to a new location. After many years of use, bunks have good resale values.



BOOM CONCRETE bunks are long-lasting, serviceable structures that are low cost and low maintenance.

BOOM CONCRETE bunks will not rust, rattle, or rot as less conventional systems. The reduced repair costs on concrete bunks represent substantial savings.

BOOM CONCRETE bunks are reinforced with steel and fiber, and come in a variety of neck rail styles and heights to accommodate sheep, cattle, or hogs.

Eliminate unnecessary feed waste with



**Cattle Guard
Foundation
Buttress**



Secure Footing For
Your Cattle Guards...

Convenience For You...

Security For Your Livestock

Boom Concrete, Inc.
220 Girard Ave.
PO Box 437
Newell, SD 57760

Phone: 605-456-2600
800-464-2600
Fax: 605-456-6060
Email: concrete@boomcon.com
Web: www.boomcon.com
January 1, 2018

BOOM
CONCRETE, INC.
Newell, S.D.

Quality Concrete Products



Cattle Guard “L” Foundation Buttress

- *Save Time*
- *Eliminate Gate Handling*
- *Reduce Maintenance*

Tired of opening and closing fence line gates?

If you drive through your livestock yard, pasture, or between landowner right of ways, we have the perfect answer to eliminate the inconvenience and extra time of opening and closing gates. . . Cattle Guard Foundation Buttress!



“L” Foundation Buttress

Boom Concrete Cattle Guard Foundation Buttress are designed and built with high quality components including specially formulated concrete, steel rebar, and concrete fiber which is embedded throughout the buttress.

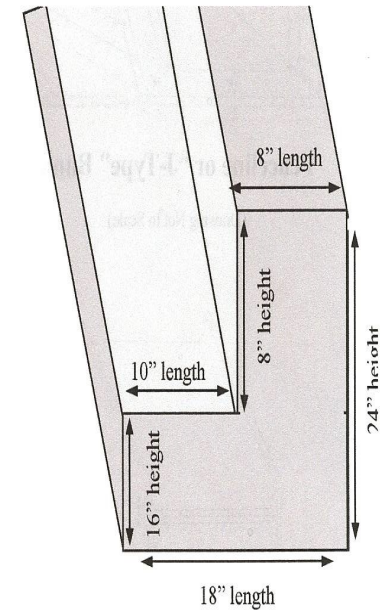
Boom Concrete Cattle Guard Foundation Buttress come in standard lengths of 4 ft., 8ft., and 12 ft. Combine these lengths to make your customized cattle guard buttress lengths of 16 ft., 20 ft., etc.

Concrete Cattle Guard “L” Foundation Buttress provide a secure foundation for steel cattle guard rails. Concrete buttress foundations cut installation time and reduce maintenance costs.



Buttress with steel rails on them.

Boom Concrete Cattle Guard “L” Foundation Buttress For Steel Rails



(Drawing not to scale)

- 4 Ft. Buttress Section (1500 pounds)
- 8 Ft. Buttress Section (3000 pounds)
- 12 Ft. Buttress Section (4500 pounds)
- Combine Lengths for customized lengths of 16 Ft., 20 Ft., etc.
- Each Buttress includes two recessed lifting hooks

Buttress, definition: (n.) 1. something that gives support; 2. a support, usually made of stone or brick, which supports a building; (v.) to support or reinforce something