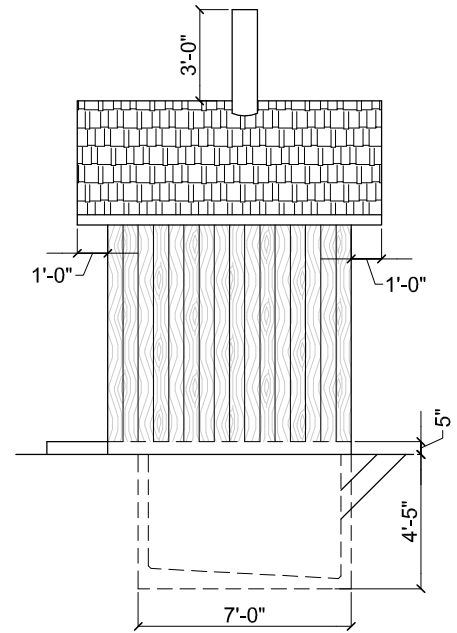
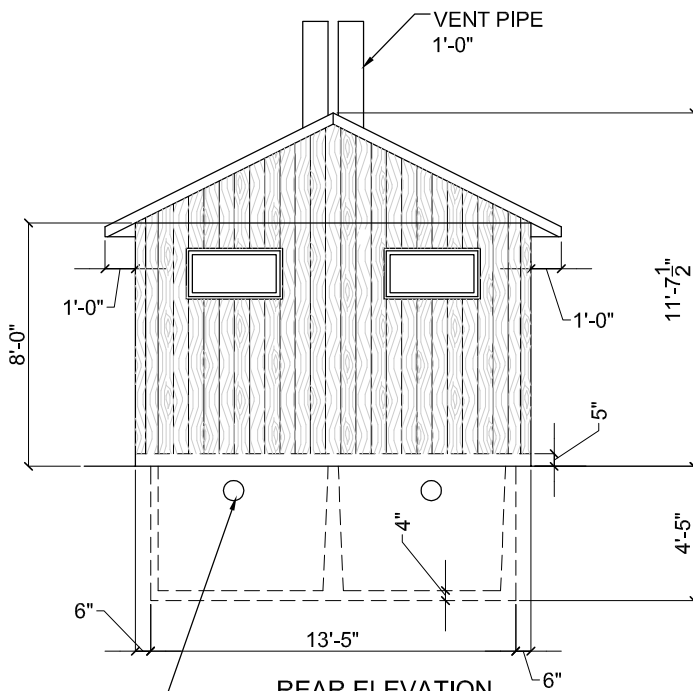


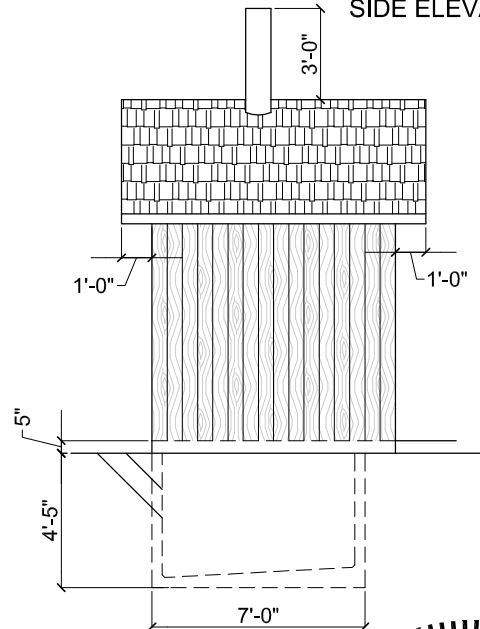
FRONT ELEVATION



SIDE ELEVATION



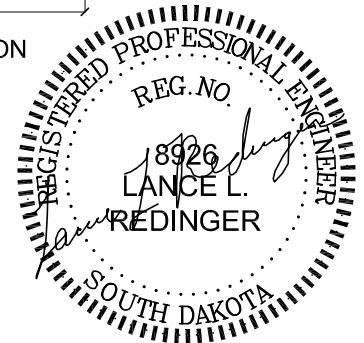
REAR ELEVATION



SIDE ELEVATION

8"Ø PVC
CLEANOUT w/ CAP
AND LOCKS w/ ROD
& OWNER FURNISHED
PADLOCK

1 PIECE MOLDED PLASTIC TANK LINER
THAT IS 0.20 INCH THICK IS AN AVAILABLE
OPTION ON ALL MODELS.

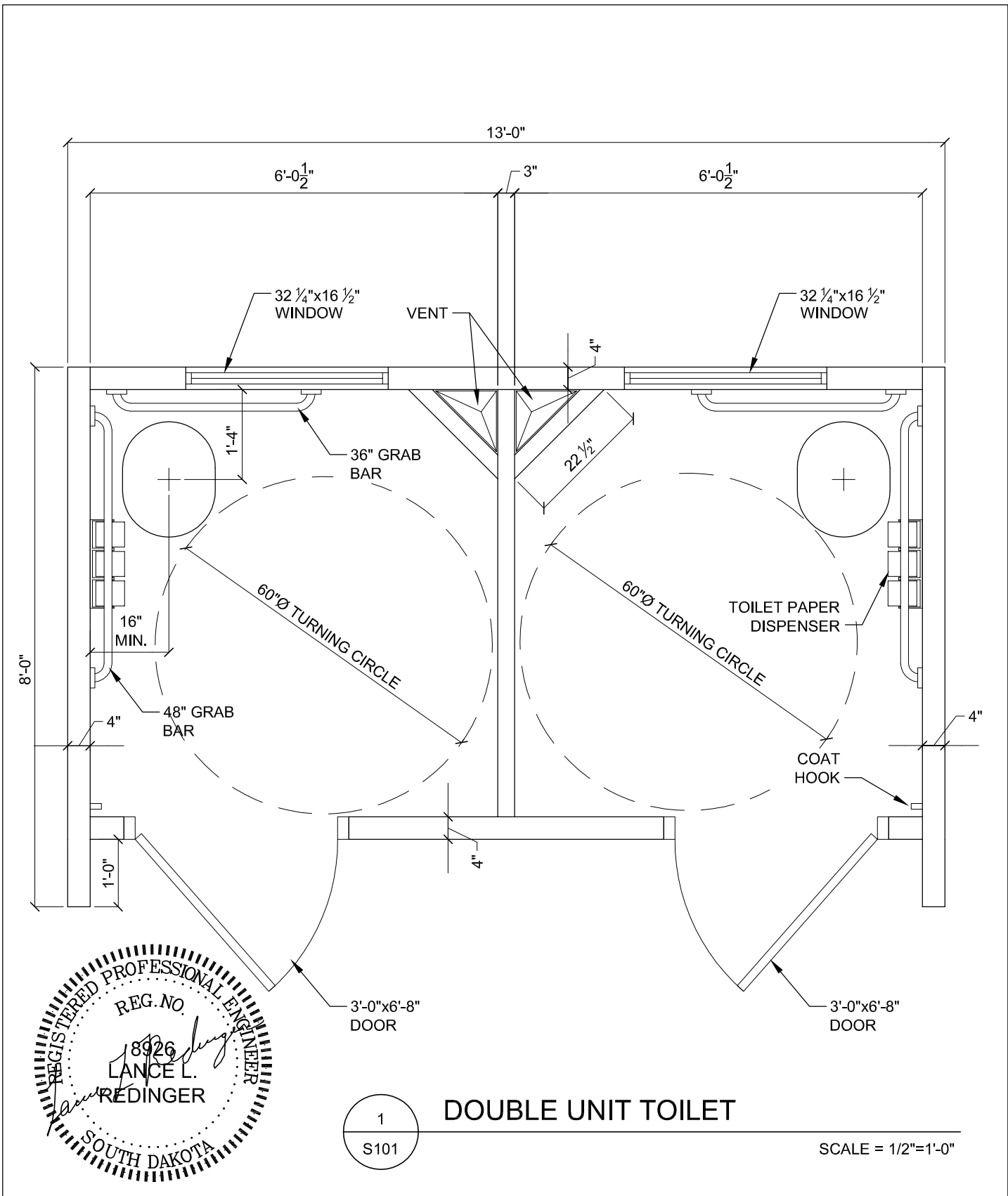


Drawn By RJT
Checked By LLR
Date 9/10/14
LE # BOOM
Cad File S101.DWG

**BOOM Clovermist Plus
DOUBLE VAULT PLAN**
SPEARFISH, SOUTH DAKOTA

**LANCE
ENGINEERING**
LANCE ENGINEERING 605-642-3680
3339 East Colorado Blvd. SPEARFISH, SD

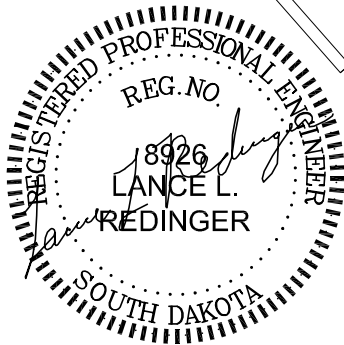
S101



1 DOUBLE UNIT TOILET

S101

SCALE = 1/2"=1'-0"

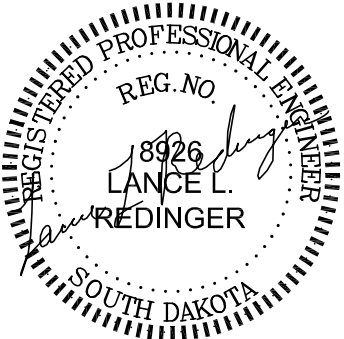
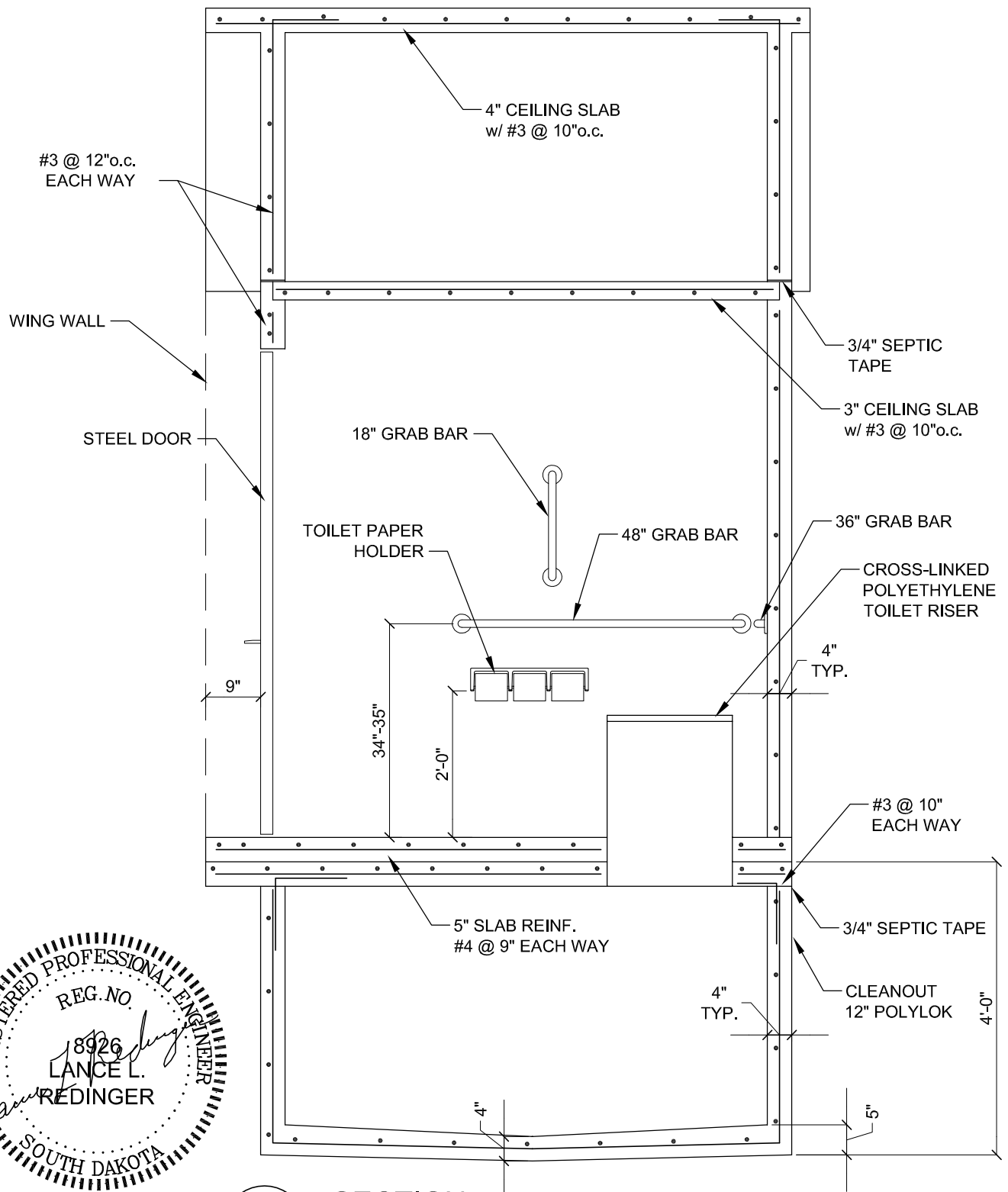


Drawn By RJT
 Checked By LLR
 Date 9/10/14
 LE # BOOM
 Cad File S201.DWG

BOOM Clovermist Plus
 DOUBLE VAULT PLAN
 SPEARFISH, SOUTH DAKOTA

LANCE
ENGINEERING
 LANCE ENGINEERING 605-642-3680
 3339 East Colorado Blvd. SPEARFISH, SD

S201



1
S301

SECTION

SCALE = 1/2"=1'-0"

Drawn By RJT
 Checked By LLR
 Date 9/12/14
 LE # BOOM
 Cad File S301.DWG

BOOM Clovermist Double
 VAULT ELEVATIONS
 SPEARFISH, SOUTH DAKOTA

LANCE
ENGINEERING
 LANCE ENGINEERING 605-642-3680
 3339 East Colorado Blvd. SPEARFISH, SD

S301